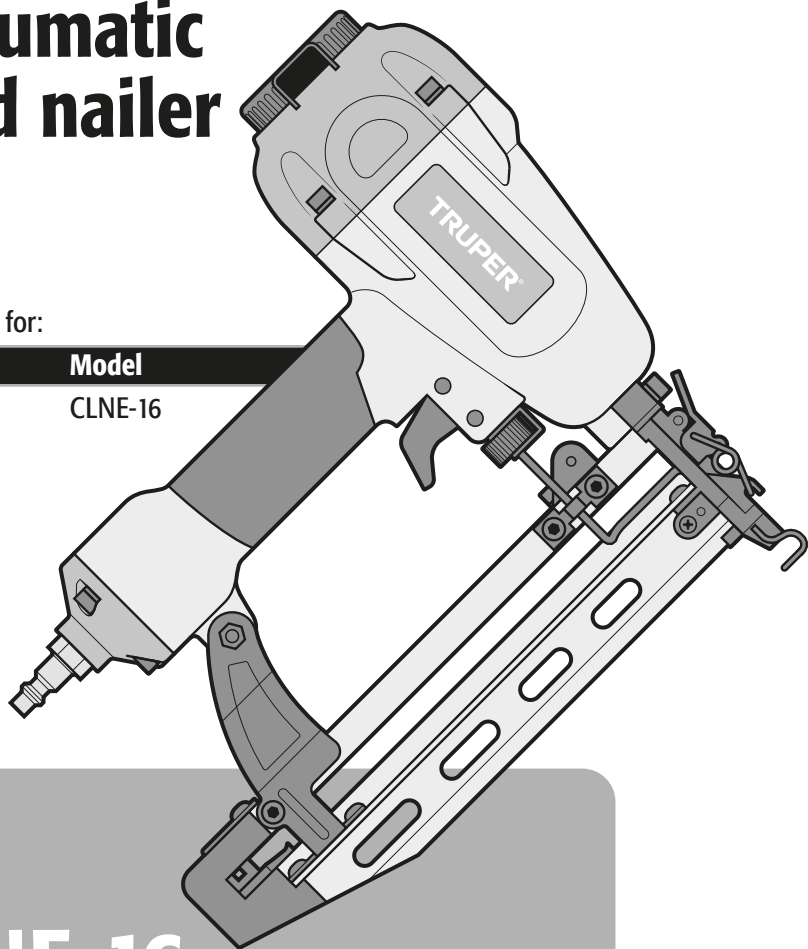


Manual

Pneumatic brad nailer

Applies for:

Code	Model
13181	CLNE-16



CLNE-16

 **WARNING**

Constant lubrication.

 **CAUTION**



Read this manual thoroughly
before using the tool.



Technical data	3
Filter and lubrication requirements	3
 Safety warnings for pneumatic tools	4
 Risk control when using pneumatic tools	5
 Safety warnings for using brad nailers	6
Parts	7
Start up	7
Maintenance	9
Troubleshooting	9
Notes	10
Authorized service centers	11
Warranty policy	12

 CAUTION

To gain the best performance of the tool, prolong the duty life, make the Warranty valid if necessary, and to avoid hazards of fatal injuries please read and understand this Manual before using the tool.

Keep this manual for future references.

The illustrations in this manual are for reference only. They might be different from the real tool.

Use and care recommendations

Do not operate without lubrication (it is recommended to use the Truper lubricating filter **19238** UNI-LL-1/4).



Use only in **WOOD**.



Work at the **INDICATED PRESSURE** to prevent the nail from clogging. In case this happens **REMOVE THE STAPLE** before continuing working.



Perform periodic **MAINTENANCE** to your machine (page 9).

Technical data



CLNE-16

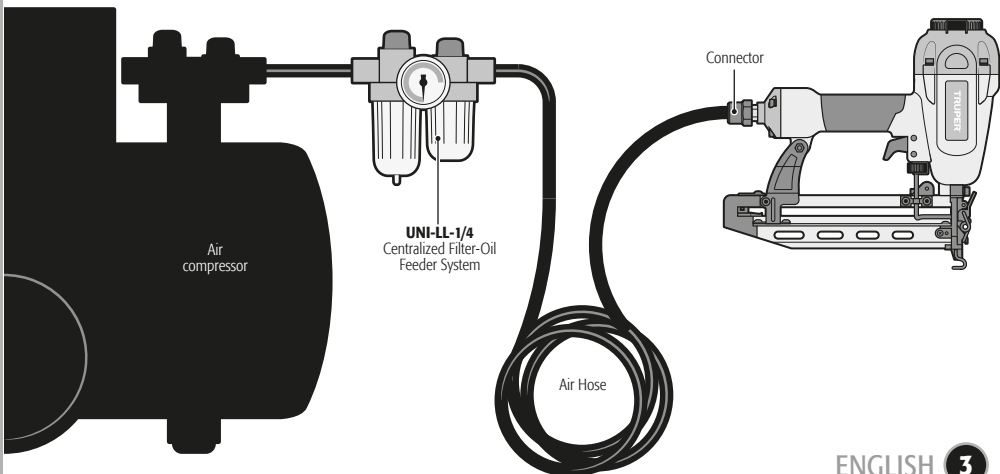
Code	•	13181
Description	•	Pneumatic brad nailer
Recommended Operation Pressure	•	75 PSI - 110 PSI
Maximum Pressure Allowed	•	110 PSI
Cartridge Capacity	•	100 nails
Nail Gauge	•	16
Nail Length	•	1" to 2-1/2"
Air Intake Connection	•	1/4 NPT
Hose Inner Diameter	•	3/8"

CAUTION An increase in the pressure in the line or the inner diameter in the hose diameter shall be considered to compensate the use of very long hoses (longer than 26.2 ft). The hose minimum inner diameter shall be 3/8" and the connectors shall be 1/4 NPT. Use good quality couplings and accessories with the right size.

Filter and lubrication requirements

CAUTION Dust, water and oil specific for using in pneumatic tools are the main cause of potential flaws with the tool. We recommend installing a **TRUPER** Brand UNI-LL-1/4 centralized filter-oil feeder system. This system assures lubrication reducing 80% oil consumption significantly increasing the air quality the operator breaths.

- The filter-oil feeder system must be regulated to administer 3 to 6 drops a minute.
- Drain the water in the air compressor tank and also condensation in the hoses before using the tool. Consult the air compressor instructions.





Keep your work area clean, tidy and well lit.

CAUTION Cluttered and dark areas can cause accidents.



Never use the tool in explosive environments or in the presence of flammable liquids or with no ventilation.

DANGER Sparks generated by the tool could cause explosion or fire.



Keep children and other people at a safe distance while using the tool.

WARNING Distractions can make loose control and cause accidents.



Avoid making contact with power lines and circuits.

DANGER Place an avoid power lines and circuits especially hidden wiring including grounded objects.

Stay alert, be cautious and use common sense.

CAUTION Familiarity with the use of the tool could distract you while operating it. This can cause accidents.



Do not use the tool if tired or under the influence of drugs, alcohol or medication.

DANGER A moment distraction while using the tool can cause severe personal injury.

Use the tool with its pieces in place and in good repair.

WARNING Failure to comply with this instruction can expose you to severe injury.

Secure and support correctly the work piece.

CAUTION Use vices and a stable work surface.

Never force the tool.

CAUTION Working within the tool design range assures a better and safer job.



Store the tool in a safe place away from children reach.

WARNING Pneumatic tools are dangerous in inexperienced hands.



Wear the right clothing.

WARNING Loose clothing, jewelry or long hair can get caught in the moving parts.



Keep hands away from the moving and / or rotating parts.

WARNING Failure to comply with this warning expose you to severe personal injury such as cuts, burns and crushing.



Wear the adequate personal protection equipment.


CAUTION Use of eye protection, dust mask, anti-squid safety shoes, and protection helmet and safety gloves considerably reduce risk of injuries.



Disconnect the air hose from the tool before servicing or changing accessories.

CAUTION To prevent the tool from accidentally start and cause accidents.

Never use the tool if the switch is not working or if it is not correctly assembled.

WARNING Using the tool in disrepair expose you to severe personal injury. Repair immediately in a  TRUPER Authorized Service Center.

Do not overreach.

WARNING Good footing and balance allow having better control on the tool in unexpected situations.

Never pull the air hose.

CAUTION Do not use the hose to carry the tool or disconnect it from the air supply. Damaged or tangled hoses may burst and shoot residues towards the operator.

Prevent accidentally starting of the tool.


WARNING Double check the air intake is disconnected before lubricating, setting accessories or servicing the tool.



Remove all the vices before starting the tool.

WARNING Additional tools, or vices set onto a rotating piece in the tool may cause severe personal injury.

Service the tool and verify it is in excellent conditions before using it.

DANGER Double-check carefully all the mobile parts, alignment and assembly. Do this inspection regularly. Look for any damaged element or malfunctioning part. Replace immediately in a  TRUPER Authorized Service Center.



Accessories.

CAUTION Use only accessories or spare parts indicated in this MANUAL or certified by  TRUPER.

Never leave the tool running unattended.

CAUTION Disconnect the tool from the air supply after operating and before storing in a safe place to prevent accidents.

Risk control

when using pneumatic tools




Injury risk to head and eyes



WARNING • Compressed air used with pneumatic tools may be dangerous. Objects like vices, burr, splinters, dust and other residues can get shot out at great speed driven by the airflow and enter your eyes or hit your head. Airflow by itself can cause damage on soft tissues in eyes, ears, etc.

Prevent injury to head and eyes

- When operating pneumatic equipment wear protecting eyeglasses complying with ANSI Z87.1 Standard. As an additional protection wear a mask. 
- Never aim the airflow to people or animals.
- Disconnect the air hose from the tool when not in use.
- Never leave the tool unattended when connected to the air inlet.
- Before using the tool verify all the parts and accessories are securely fastened.

Risk of explosion



WARNING • Inadequate handling of pressure in pneumatic equipment may cause an explosion and severe injury. Also, using any gas different from compressed air causes explosions.

Preventing an explosion


- Before using the tools double-check that the compressed air supply is regulated to the tool specified pressure and it not goes over that level.
- Never connect the tool into a pressure supply exceeding 200 PSI, neither oxygen nor any other bottled gas, combustible or reactive.
- Use clean, dry and regulated compressed air with pressure between 75 PSI and 110 PSI

Hearing loss risk



WARNING • Being exposed to noise generated by pneumatic tool during long periods of time may damage permanently hearing and cause hearing loss.

Preventing hearing loss

- When operating pneumatic equipment always wear hearing protection complying with ANSI S3.19 Standard. 

Risk of injury



WARNING • Damaged hoses may burst and cause severe injury or hearing loss.

Preventing injuries

- Do not mistreat the hose or connectors.
- Keep the hose away from sharp or abrasive surfaces.
- Disconnect the hose when loading the cartridge.
- Never use the hose to carry the tool.
- Never pull the hose to disconnect the tool.
- Do not expose the hose to heat, oil or solvents.
- Before operating the tool, verify that the hoses are not damaged.
- Use hoses that can handle at least 150 PSI or 150% of the system maximum pressure, whichever is higher.


• Vices can get unfastened and get projected causing severe injury or damage to property.

• Double-check all connections are securely installed.

• Tools that start unexpectedly may cause severe injury.

- Never carry the tool by the trigger.
- Disconnect the tool air hose when not in use.
- Never leave the tool unattended when connected to the air supply.

• Tools and accessories with no maintenance may cause severe injury.

- Keep all tools clean. A clean and lubricated tool works more effectively and is easier to control.
- All repairs can only be carried out in a  **TRUPER** Authorized Service Center.

• Damaged and banged tools and accessories may cause severe injury.

• Do not use damaged or banged tools or accessories.

Before using the nailer

- To prevent possible injuries, the operator and any other person in the work area shall wear safety glasses with side protection as well as protective helmets in compliance with the Official Mexican Standards (NOM).
- Inspect the tool. Never operate a tool if the lock, the trigger or the springs are not operating; are damaged or lost. Do not make any modification to the lock, trigger or springs.

While using the nailer

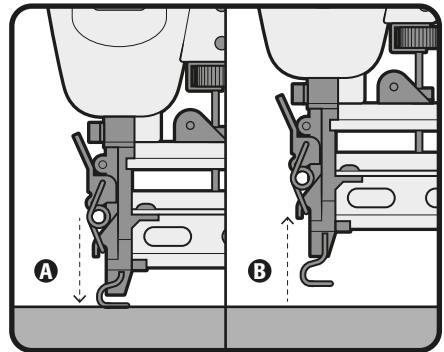
- To prevent accidental shots keep your fingers away from the trigger when the tool is not been used.
- Do not point the tool towards your body, people or animals.
- Disconnect the tool from the air supply before loading nails. Thus, preventing a staple will accidentally be shot during the connection process.
- Do not try to insert a staple on the edge or near the edge of the work piece. If the piece breaks or separates, it would shoot the nails with enough power to cause injury.
- Shoot nails only towards the work surface. Never shoot towards surfaces hard to penetrate on top of another staple or having the tool in steep angle. This could make the nails to bounce exposing the operator to severe injury.
- Do not try to load nails when the trigger is pressed. This action shoots a staple unexpectedly.
- When moving the tool, only hold it by the handle. Never activate the trigger while moving. Never carry the tool holding it by the hose or pulling the hose to move the tool.

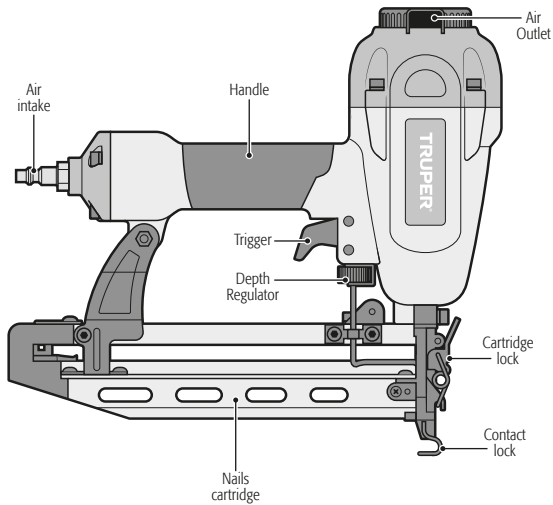
After using the nailer

- Disconnect the nailer from the air supply before carrying out any maintenance or unblocking job when leaving the work area or if giving it to another operator.

How to verify the correct use of the lock

- The tool is built with a contact lock to prevent an accidental shot.
- To verify its functioning disconnect the tool from the air supply.
- Empty the cartridge (see page 7).
- Double-check the trigger and contact lock can move freely up and down.
- Connect the tool to the air supply.
- Without pressing the trigger press the contact lock against a piece of scrap wood **(A)**. The tool should not shoot. Otherwise stop using it and go to a **TRUPER®** Authorized Service Center to repair.
- Remove the contact lock from the wood piece **(B)**. The lock shall return to its original position and when pressing the trigger the tool should not shoot. Otherwise stop using it and go to a **TRUPER®** Authorized Service Center to repair.





Start Up

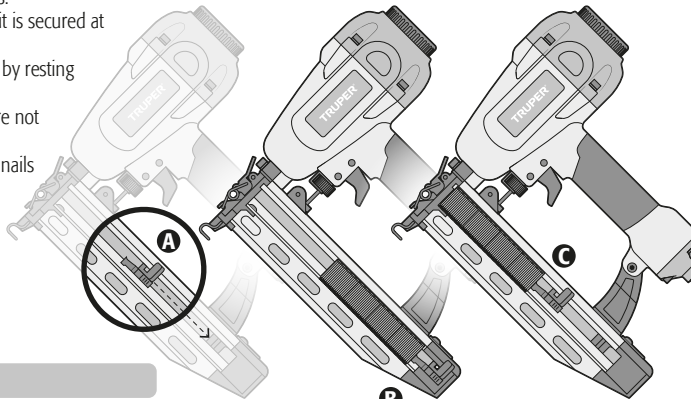
Cartridge Loading

⚠ CAUTION The pneumatic tool must not be connected to the air supply, to prevent it from being accidentally triggered during the process.

- Push back the cartridge lock (A) until it is secured at the end of the cartridge.
- Insert the nails into the cartridge track by resting them in the cartridge lock (B).

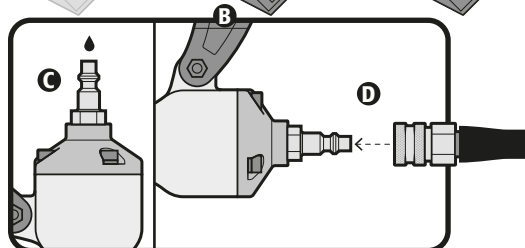
⚠ CAUTION Make sure the nails are not dirty or damaged.

- Release the cartridge lock to push the nails to the tip of the tool.



Air Supply Connection

- Connect the hose to the compressor and let some air flow through the hose and quick coupling to verify that both are clean before connecting them to the tool.
- If you do not have an oil filter as recommended on page 3, apply a few drops of tool oil to the air inlet (C).
- Connect the air hose to the tool using the quick coupling (D). **⚠ CAUTION** Before connecting the hose to the tool, make sure the nail cartridge is empty.
- The quick coupling is useful to quickly connect and disconnect tools and to exchange them easily.



Operation

- Turn on the compressor and fill it.
- Regulate the air compressor output pressure to 75 PSI and 110 PSI

⚠ WARNING The tool operates with this pressure range. If operating with a higher pressure ranges the useful life of the tool will be decreased.

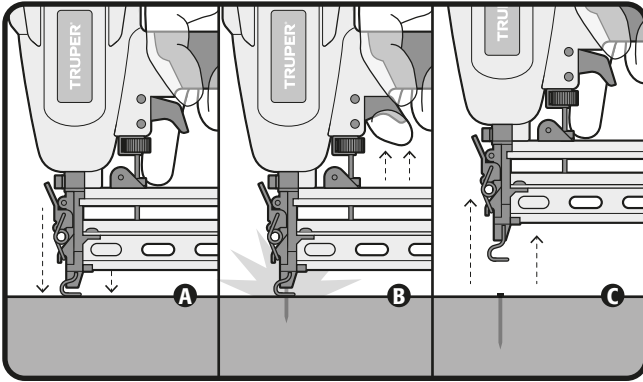
- Load the cartridge as indicated on page 7.

⚠ CAUTION • Use a piece of scrap wood to verify the tool works correctly.

- Having your finger away from the trigger position the tool and press the contact lock against the surface to be used **(A)**.
- Without lifting the tool press the trigger to shoot **(B)**.
- Immediately release the trigger and lift the tool **(C)**.
- Position the tool back for subsequent shots.
- In case the nails are not penetrating deep enough, slightly lift the air pressure until reaching the right penetration force.

⚠ WARNING Remember not to exceed 110 PSI

- Or, slowly turn the depth control **(D)** until gaining the expected penetration force.

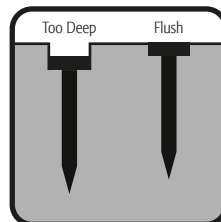
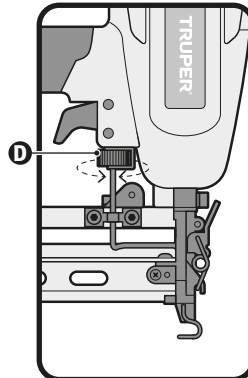


Depth regulator

The driving depth of the nails is adjustable. To adjust the depth, use the transmission depth adjustment wheel **(D)**.

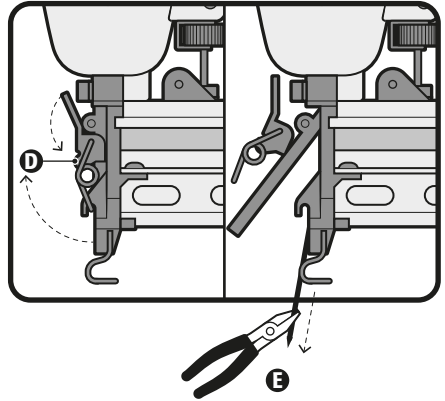
⚠ CAUTION Disconnect the tool from the air supply before attempting to disassemble any parts.

- Turn the depth adjustment wheel left or right to change the driving depth
- Reconnect the tool to the air supply
- Insert a test nail after each adjustment to the desired depth.



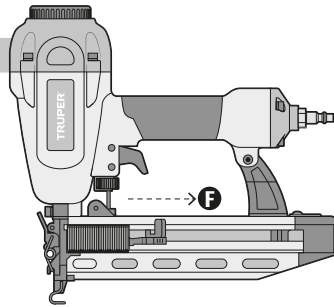
Blocked nail in the shooting orifice

- Disconnect the tool from the air supply.
- Open the nozzle (D) and pull the nail using pliers until removed (E).



Blocked nail in the cartridge


- Disconnect the tool from the air supply.
- Open the cartridge (F).
- Remove the blocked nail with pliers.
- Close the cartridge.



Maintenance

Lubrication


• Pneumatic tools require constant lubrication all along their working life and while operating. The compressed air the tool needs to function contains humidity that can oxidize the tool's motor and bearings.

To prevent that possibility it is necessary to constantly administer lubricating oil delivered by a  **TRUPER** Brand UNI-LL-1/4 centralized filter-oil feeder system installed between the air compressor and the tool.


⚠ WARNING • The exhaust immediately expels any excess oil in the motor. Always keep the exhaust free of obstructions and never point it to people or objects.

- If the tool is not going to be used long periods of time it should be carefully lubricated.
- After each 60 hours operation the tool mechanism needs greasing. Keep in mind that grease in excess may diminish power

Service

• Servicing the tool shall be carried out every 3 months in a  **TRUPER** Authorized Service Center.

Maintenance service carried out by a non-qualified person may be dangerous and cause personal injury. It also makes the Warranty void.

• Problems with the tool due to lack of recommended dosed lubrication, to fail in following instructions given in this MANUAL or repairs carried out by personnel not certified by  **TRUPER** will not be covered in the Warranty. We reserve the right to make technical improvements without previous notice.

Problem

Cause

Solution


Air leak in the upper side of the tool or in the trigger area.

- Loose screws.
- Worn "O"-rings or damaged seals.

- Fasten all the screws.
- Go to a  **TRUPER**® Authorized Service Center to replace the parts.

The tool is not operating or goes to slow.

- Inadequate air supply.
- Inadequate lubrication.
- Worn "O"-rings or damaged seals.

- Regulate the air feeding pressure.
- Lubricate following instructions indicated in this manual.
- Go to a  **TRUPER**® Authorized Service Center to replace the parts.

Leak in the lower side of the tool.

- Loose screws.
- Worn "O"-rings or damaged seals.

- Fasten all the screws.
- Go to a  **TRUPER**® Authorized Service Center to replace the parts.

The tool gets blocked frequently.

- Wrong nails.
- Damaged nails.
- Loose cartridge or nozzle screw.
- Dirty cartridge.
- The shooting mechanism is damaged or worn.

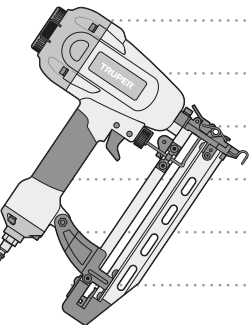
- Check the nails have the right size.
- Replace with nailers in good repair.
- Fasten the screws.
- Clean the cartridge.
- Go to a  **TRUPER**® Authorized Service Center to replace the parts.

Other problems.

- Diverse reasons.


- Go to a  **TRUPER**® Authorized Service Center to replace the parts.

Notes



In the event of any problem contacting a  **TRUPER** Authorized Service Center, please see our webpage www.truper.com to get an updated list, or call our toll-free numbers **800 690-6990** or **800 018-7873** to get information about the nearest Service Center.

- AGUASCALIENTES** **DE TODO PARA LA CONSTRUCCIÓN**
GRAL. BARRAGÁN #1201, COL. GREMIAL, C.P. 20030, AGUASCALIENTES, AGS. TEL.: 449 994 0537
- BAJA CALIFORNIA** **SUCURSAL TIJUANA**
AV. LA ENCANTADA, LOTE #5, PARQUE INDUSTRIAL EL FLORIDO II, C.P. 22244, TIJUANA, B.C. TEL.: 664 969 5100
- BAJA CALIFORNIA SUR** **FIX FERRETERÍAS**
FELIPE ANGELES ESQ. RUIZ CORTINEZ S/N, COL. PUEBLO NUEVO, C.P. 23670, CD. CONSTITUCIÓN, B.C.S. TEL.: 615 152 1115
- CAMPECHE** **TORNILLERÍA Y FERRETERÍA AAA**
AV. ALVARO OBREGÓN #524, COL. ESPERANZA C.P. 24080 CAMPECHE, CAMP. TEL.: 981 815 2808
- CHIAPAS** **FIX FERRETERÍAS**
AV. CENTRAL SUR #27, COL. CENTRO, C.P. 30700, TAPACHULA, CHIS. TEL.: 962 118 4085
- CHIHUAHUA** **SUCURSAL CHIHUAHUA**
AV. SILVESTRE TERRAZAS #128-11, PARQUE INDUSTRIAL BAFAR, CARRETERA MEXICO CUAUHTÉMOC, C.P. 31415, CHIHUAHUA, CHIH. TEL.: 614 434 0052
- CIUDAD DE MÉXICO** **FIX FERRETERÍAS**
EL MONSTRUO DE CORREGIDORA, CORREGIDORA # 22, COL. CENTRO, C.P. 06060, CUAUHTÉMOC, CDMX. TEL.: 55 5522 5051 / 5522 4861
- COAHUILA** **SUCURSAL TORREÓN**
CALLE METAL MECÁNICA #280, PARQUE INDUSTRIAL ORIENTE, C.P. 27278, TORREÓN, COAH. TEL.: 871 209 68 25
- COLIMA** **BOMBAS Y MOTORES BYMTESA DE MANZANILLO**
BLVD. MIGUEL DE LA MADRID #190, COL. 16 DE SEPTIEMBRE, C.P. 28239, MANZANILLO, COL. TEL.: 314 332 1986 / 332 8013
- DURANGO** **TORNILLOS ÁGUILA, S.A. DE CV.**
MAZURIO #200, COL. LUIS ECHEVERRÍA, DURANGO, DGO. TEL.: 618 817 1946 / 618 818 2844
- ESTADO DE MÉXICO** **SUCURSAL CENTRO JILOTEPEC**
PARQUE INDUSTRIAL # 1, COL. PARQUE INDUSTRIAL JILOTEPEC, JILOTEPEC, EDO. DE MÉX. C.P. 54257 TEL.: 761 782 9101 EXT. 5728 Y 5102
- GUANAJUATO** **CÍA. FERRETERA NUEVO MUNDO S.A. DE CV.**
AV. MÉXICO - JAPÓN #225, CD. INDUSTRIAL, C.P. 38010, CELAYA, GTO. TEL.: 461 617 7578 / 79 / 80 / 88
- GUERRERO** **CENTRO DE SERVICIO ECLIPSE**
CALLE PRINCIPAL MZ I LT. 1, COL. SANTA FE, C.P. 39010, CHILPANCIÑO, GRÖ. TEL.: 747 478 5793
- HIDALGO** **FERREPRECIOS S.A. DE CV.**
LIBERTAD ORIENTE #304 LOCAL 30, INTERIOR DE PASAJE ROBLEDO, COL. CENTRO, C.P. 43600, TULANCINGO, HGO. TEL.: 775 753 6615 / 775 753 6616
- JALISCO** **SUCURSAL GUADALAJARA**
AV. ADOLFO B. HORN # 6800, COL. SANTA CRUZ DEL VALLE, C.P.: 45655, TLAJOMULCO DE ZUÑIGA, JAL. TEL.: 33 3606 5285 AL 90
- MICHOACÁN** **FIX FERRETERÍAS**
AV. PASEO DE LA REPÚBLICA #3140-A, COL. EX-HACIENDA DE LA HUERTA, C.P. 58050, MORELIA, MICH. TEL.: 443 334 6858
- MORELOS** **FIX FERRETERÍAS**
CAPITÁN ANZURES #95, ESQ. JOSÉ PERDIZ, COL. CENTRO, C.P. 62740, CUAUTLA, MOR. TEL.: 735 552 8951
- NAYARIT** **HERRAMIENTAS DE TEPIEC**
MAZATLAN #117, COL. CENTRO, C.P. 63000, TEPIEC, NAY. TEL.: 311 258 0540
- NUEVO LEÓN** **SUCURSAL MONTERREY**
CARRETERA LAREDO #500, 1B MONTERREY PARKS, COLONIA PUERTA DE ANAHUAC, C.P. 66052, ESCOBEDO, NUEVO LEÓN, TEL.: 81 8352 8791 / 81 8352 8790
- OAXACA** **FIX FERRETERÍAS**
AV. 20 DE NOVIEMBRE #910, COL. CENTRO, C.P. 68300, TUXTEPEC, OAX. TEL.: 287 106 3092
- PUEBLA** **SUCURSAL PUEBLA**
AV. PERIFÉRICO #2-A, SAN LORENZO ALMECATLA, C.P. 72710, CUAUHTLACINGO, PUE. TEL.: 222 282 8282 / 84 / 85 / 86
- QUERÉTARO** **ARU HERRAMIENTAS S.A DE CV.**
AV. PUERTO DE VERACRUZ #110, COL. RANCHO DE ENMEDIO, C.P. 76842, SAN JUAN DEL RÍO, QRO. TEL.: 427 268 4544
- QUINTANA ROO** **FIX FERRETERÍAS**
CARRETERA FEDERAL MZ. 46 LT. 3 LOCAL 2, COL EJIDAL, C.P. 77710 PLAYA DEL CARMEN, Q.R. TEL.: 984 267 3140
- SAN LUIS POTOSÍ** **FIX FERRETERÍAS**
AV. UNIVERSIDAD #1850, COL. EL PASEO, C.P. 78320, SAN LUIS POTOSÍ, S.L.P. TEL.: 444 822 4341
- SINALOA** **SUCURSAL CULIACÁN**
AV. JESUS KUMATE SUR #4301, COL. HACIENDA DE LA MORA, C.P. 80145, CULIACÁN, SIN. TEL.: 667 173 9139 / 173 8400
- SONORA** **FIX FERRETERÍAS**
CALLE 5 DE FEBRERO #517, SUR LT. 25 MZ. 10, COL. CENTRO, C.P. 85000, CD. OBREGÓN, SON. TEL.: 644 413 2392
- TABASCO** **SUCURSAL VILLAHERMOSA**
CALLE HELIO LOTES 1, 2 Y 3 MZ. #1, COL. INDUSTRIAL, 2A ETAPA, C.P. 86010, VILLAHERMOSA, TAB. TEL.: 995 555 7244
- TAMAULIPAS** **VM ORINGS Y REFACCIONES**
CALLE ROSTIA #527 ENTRE 20 DE NOVIEMBRE Y GRAL. RODRÍGUEZ, FRACC. REYNOSA, C.P. 88780, REYNOSA, TAMS. TEL.: 899 926 7552
- TLAXCALA** **SERVICIOS Y HERRAMIENTAS INDUSTRIALES**
PABLO SIDAR #132, COL. BARRIO DE SAN BARTOLOMÉ, C.P. 90970, SAN PABLO DEL MONTE, TLAX. TEL.: 222 271 7502
- VERACRUZ** **LA CASA DISTRIBUIDORA TRUPER**
BLVD. PRIMAVERA ESQ. HORTENSIA S/N, COL. PRIMAVERA C.P. 93308, POZA RICA, VER. TEL.: 782 825 8100 / 826 8484
- YUCATÁN** **SUCURSAL MÉRIDA**
CALLE 33 #600 Y 602, LOCALIDAD ITZINCAB Y MULSAV, MPIO. UMAN, C.P. 97390, MÉRIDA, YUC. TEL.: 999 912 2451

Code	Model	Brand
13181	CLNE-16	 TRUPER®

Warranty. Duration: 2 years. Coverage: parts, components and workmanship against manufacturing or operating defects, except if used under conditions other than normal; when it was not operated in accordance with the instructive; was altered or repaired by personnel not authorized by **Truper®**. To make the warranty valid, present the product, stamped policy or invoice or receipt or voucher, in the establishment where you bought it or in Corregidora 22, Centro, Cuauhtémoc, CDMX, 06060, where you can also purchase parts, components, consumables and accessories. It includes the costs of transportation of the product that derive from its fulfillment of its service network . Phone number **800-018-7873**. Made in China. Imported by Truper, S.A. de C.V. Parque Industrial 1, Parque Industrial Jilotepec, Jilotepec, Edo. de Méx. C.P. 54257, Phone number 761 782 9100.



2
YEARS

Stamp of the business. Delivery date:



2 AÑOS

Sello del establecimiento comercial. Fecha de entrega:

Garantía. Duración: 2 años. Cobertura: piezas, componentes y mano de obra contra defectos de fabricación o funcionamiento, excepto si se usó en condiciones distintas a las normales; cuando no fue operado conforme instructivo; fue alterado o reparado por personal no autorizado por **Truper**®. Para hacer efectiva la garantía presente el producto, póliza sellada o factura o recibo o comprobante, en el establecimiento donde lo compró o en Corregidora 22, Centro, Cuauhtémoc, CDMX, 06060, donde también podrá adquirir partes, componentes, consumibles y accesorios. Incluye los gastos de transportación del producto que deriven de su cumplimiento de su red de servicio. Tel. **800-018-7873**. Made in/Hecho en China. Importador **Truper, S.A. de C.V.** Parque Industrial 1, Parque Industrial Jilotepec, Jilotepec, Edo. de Méx. C.P. 54257, Tel. 761 782 9100.

 **TRUPER**

CLNE-16

13181

Marca

Modelo

Código

Póliza de
Garantía

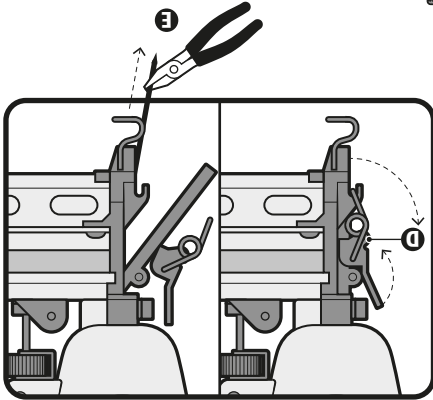
 **TRUPER**®

En caso de tener algún problema para contactar un Centro de Servicio Autorizado TRUPER consulte nuestra página www.truper.com donde obtendrá un listado actualizado, o llame al: 800 690-6990 ó 800 018-7873 donde le informarán cuál es el Centro de Servicio más cercano.

- AGUASCALIENTES**
DE TODO PARA LA CONSTRUCCIÓN
 GRAL. BARRAGÁN #1201, COL. GREMIAL, C.P. 200350, AGUASCALIENTES, AGS. TEL.: 449 994 94 0557
- BAJA CALIFORNIA**
SUCURSAL TIJUANA
 AV. LA ENCAVIDA, LOTE #5, PARQUE INDUSTRIAL EL FLORIDO II, C.P. 2244, TIJUANA, B.C. TEL.: 664 966 5100
- BAJA CALIFORNIA SUR**
FIX FERRERÍAS
 NUEVO, C.P. 25670, CD. CONSTITUCIÓN, B.C.S. TEL.: 615 132 1115
- CAMPECHE**
TORNILLERÍA Y FERRERÍA AAA
 AV. ALVARO OBREGÓN 4524, COL. ESPERANZA C.P. 24080 CAMPECHE, CAMP. TEL.: 981 815 2808
- CHIAPAS**
FIX FERRERÍAS
 AV. CENTRAL SUR #27, COL. CENTRO, C.P. 30700, TAPACHULA, CHIS. TEL.: 962 118 4083
- CHIHUAHUA**
SUCURSAL CHIHUAHUA
 AV. SILVESTRE TERREAZAS #128-11, PARQUE INDUSTRIAL BARR. CARRETERA MEXICO CUAUHTEMOC, C.P. 31415, CHIHUAHUA, CHIH. TEL.: 614 434 0052
- CUIDAD DE MEXICO**
FIX FERRERÍAS
 EL MONSTRUO DE CORREDIZORA, CORREDIZORA # 22, COL. CENTRO, C.P. 06060, CUAUHTEMOC, CDMX. TEL.: 55 5522 5051 / 5522 4861
- COAHUILA**
SUCURSAL TORREÓN
 CALLE METAL MECÁNICA #280, PARQUE INDUSTRIAL ORIENTE, C.P. 27278, TORREÓN, COAH. TEL.: 871 209 68 25
- COLIMA**
BOMBAS Y MOTORES BYNTESA DE MANZANILLO
 BVD. MIGUEL DE LA MANDA #190, COL. DE SEPTEMBER, C.P. 28259, MANZANILLO, COL. TEL.: 514 532 1968 / 532 8015
- DURANGO**
TORNILLOS ÁGUILA, S.A. DE C.V.
 MAZUÑO #200, COL. LUIS ECHEVERRÍA, DURANGO, DGO. TEL.: 618 817 1946 / 618 818 2844
- ESTADO DE MEXICO**
PARQUE INDUSTRIAL #1, COL. PARQUE INDUSTRIAL JIOTEPÉC
 JIOTEPÉC, EDO. DE MEX. C.P. 54257
- GUANAJUATO**
CLA. FERRERÍA NUEVO MUNDO S.A. DE C.V.
 AV. MEXICO - JAPON #252, CD. INDUSTRIAL, C.P. 38010, CELVA, GTO. TEL.: 461 617 7578 / 79 / 80 / 88
- GUERRERO**
CENTRO DE SERVICIO ECLIPSE
 CALLE PRINCIPAL MZ1 LT. 1, COL. SANTA FE, C.P. 39010, CHILPANCIÑO, GRO. TEL.: 747 478 5795
- HIDALGO**
FERRERECIOS S.A. DE C.V.
 LIBERTAD ORIENTE #504 LOCAL 30, INTERIOR DE PASAJE ROBLEDO, COL. CENTRO, C.P. 43600, TULANCINGO, HGO. TEL.: 775 753 6615 / 775 753 6616
- JALISCO**
SUCURSAL CUATLAHARA
 AV. ADOLFO B. HORN #6800, COL. SANTA CRUZ DEL VALLE, C.P. 46555, TLAJOMULCO DE ZUNIGA, JAL. TEL.: 333 5606 5283 AL 90
- MICH.** TEL.: 443 334 6858
 EX-HACIENDA DE LA HUERTA, C.P. 58050, MORELIA
- MICHOACÁN**
FIX FERRERÍAS
 AV. PASO DE LA REPUBLICA #3140-A, COL. MICH. TEL.: 443 334 6858
- BAJA CALIFORNIA**
FIX FERRERÍAS
 CALLE 33 #600 y 602, LOCALIDAD ITZINCAB Y MULSAY, MPIO. UMANI, C.P. 97390, MÉRIDA, YUC. TEL.: 999 919 2451
- YUCATÁN**
SUCURSAL MÉRIDA
 CALLE 33 #600 y 602, LOCALIDAD ITZINCAB Y MULSAY, MPIO. UMANI, C.P. 97390, MÉRIDA, YUC. TEL.: 999 919 2451
- VERACRUZ**
LA CASA DISTRIBUIDORA TRUPER
 BLD. PRIMAVERA, ESQ. HORTENSIA S/N, C. PRIMAVERA, C.P. 93308, POZA RICA, VER. TEL.: 782 823 825 8100 / 826 4844
- TLAXCALA**
SERVICIOS Y HERRAMIENTAS INDUSTRIALES
 PABLO SIDAR #132, COL. BARRIO DE SAN BARTOLOMÉ, C.P. 90970, SAN PABLO DEL MONTE, TLAX. TEL.: 222 2271 7502
- TAMLAJUPAS**
V.M. ORINGS Y REFACCIONES
 CALLE ROSITA #527 ENTRE 20 DE NOVIEMBRE Y GRAL. RODRÍGUEZ, FRACC. RENOVSA, C.P. 88780, RENOVSA, TAMM. TEL.: 899 926 6755
- TABASCO**
SUCURSAL VILAHERMOSA
 CALLE HEHULO LOTES 1, 2 Y 3 MZ. #1, COL. INDUSTRIAL, TAB. TEL.: 993 535 7244
- SONORA**
FIX FERRERÍAS
 CALLE 5 DE FEBRERO #517, SUR IT. 25 MZ. 10, COL. CENTRO, C.P. 85004, CD. OREGÓN, SON. TEL.: 644 415 2592
- SINALOA**
SUCURSAL CUICATÁN
 AV. ESSUS KUMATE SUR #4301, COL. HACIENDA DE LA MORA, C.P. 80143, CUICATÁN, SIN. TEL.: 667 175 9159 / 175 8400
- SAN LUIS POTOSÍ**
FIX FERRERÍAS
 SAN LUIS POTOSÍ, S.L.P. TEL.: 444 822 22 4341
- QUINTANA ROO**
FIX FERRERÍAS
 C.P. 77710 PLANA DEL CARMEN, Q.R. TEL.: 984 267 3140
- QUERÉTARO**
ARU HERRAMIENTAS S.A. DE C.V.
 AV. PUERTO DE VERACRUZ #110, COL. RANCHO DE EMMEDIO, C.P. 76842, SAN JUAN DEL RÍO, QRO. TEL.: 427 268 4544
- PUEBLA**
SUCURSAL PUEBLA
 AV. PARISIÉRO #2-A, SAN LORENZO ALMAGATLA, C.P. 22710 CUAUHTEMOC, PUE. TEL.: 222 282 8282 / 84 / 85 / 86
- OAXACA**
FIX FERRERÍAS
 AV. 20 DE NOVIEMBRE #910, COL. CENTRO, C.P. 68500, TUXTEPEC, OAX. TEL.: 287 106 5092
- NUEVO LEÓN**
SUCURSAL MONTERREY
 CARRETERA LAPEÑO #500, 1B MONTERREY PARKS, COLONIA PUERTA DE ARAHUAAC, C.P. 66052, ESCOBEDO, NUEVO LEÓN, TEL.: 8352 8791 / 81 8352 8790
- NAYARIT**
HERRAMIENTAS DE TEPIC
 MAZATLÁN #111, COL. CENTRO, C.P. 63000, TEPIC, NAY. TEL.: 311 258 0540
- MORELOS**
FIX FERRERÍAS
 CAPITÁN ANZURES #95, ESQ. JOSÉ PERDIZ, COL. CENTRO, C.P. 62740, CUAUTLA, MOR. TEL.: 755 552 8931

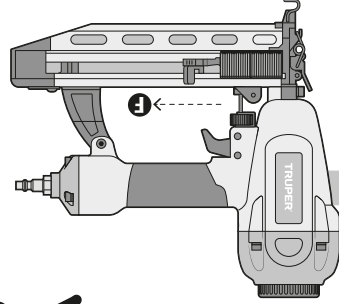
Clavo atorado en el orificio de disparo

- Desconecte la herramienta del suministro de aire.
- Abra la boquilla (D) y jale el clavo con unas pinzas hasta removerlo (E).



Clavo atorado en el cartucho

- Desconecte la herramienta del suministro de aire.
- Abra el cartucho (F).
- Remueva el clavo atascado con unas pinzas.
- Cierre el cartucho.



Lubricación

- Las herramientas neumáticas requieren lubricación constante a lo largo de su vida útil y durante su operación.

El aire comprimido que necesita la herramienta para funcionar contiene humedad que puede oxidar el motor y los baleros de la herramienta.

Para evitar esta posibilidad es necesario administrar constantemente aceite lubricante por medio del sistema de filtro-aceitera centralizado UNHL-1/4 marca

- **TRUPER**, instalado entre el compresor de aire y el motor es expulsado de inmediato por el escape de aceite

excedente. Mantenga siempre el escape libre de cualquier obstrucción y nunca lo apunte hacia personas u objetos.

- Si no va a utilizar la herramienta por un periodo largo, deberá lubricarse con mucho cuidado.

ADVERTENCIA

Servicio

Después de cada 60 horas de operación el mecanismo de la herramienta se deberá engrasar un poco. Recuerde que el exceso de grasa puede disminuir la potencia.

- El servicio de las herramientas debe ser realizado cada 3 meses únicamente en un Centro de Servicio Autorizado **TRUPER**. El servicio y mantenimiento realizado por personas no calificadas puede resultar peligroso y llegar a ocasionar daños personales además de invalidar la garantía del producto.

- Las fallas en la herramienta causadas por la falta de lubricación dosificada recomendada, por el incumplimiento de este instructivo o por reparaciones realizadas por personal no certificado por **TRUPER**, no serán cubiertas por la garantía. Nos reservamos el derecho a realizar mejoras técnicas sin previo aviso.

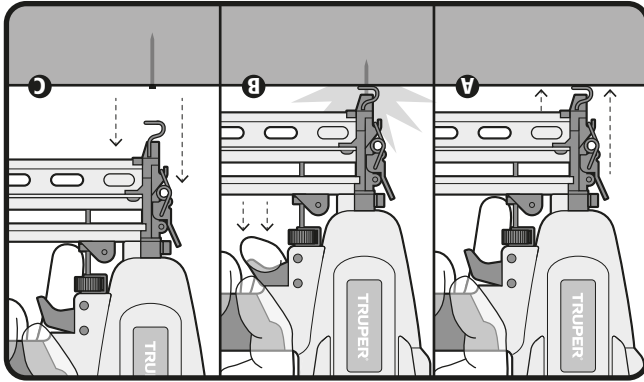
Puesta en marcha



Operación

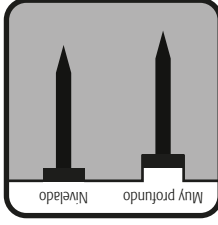
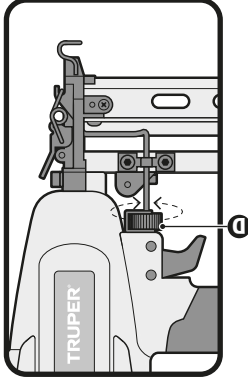
- Encienda el compresor de aire y permita que se llene.
- Regule la presión de salida del compresor de aire de 517 kPa y 758 kPa (75 PSI y 110 PSI).
- **ADVERTENCIA** La herramienta opera a este rango de presión, de operarse a rangos mayores de presión la vida útil de la herramienta será menor.
- Cargue el cartucho como se indica en la página 7.
- **ADVERTENCIA** Se recomienda usar una pieza de madera de desecho para verificar el correcto funcionamiento de la herramienta.
- Con los dedos sin tocar el gatillo posicione la herramienta y presione el seguro de contacto contra la superficie a trabajar (A).

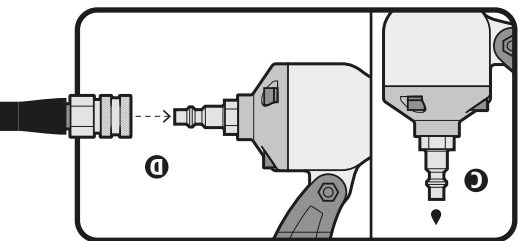
- Sin levantar la herramienta presione el gatillo para realizar un disparo (B).
- Inmediatamente suelte el gatillo y levante la herramienta (C).
- Vuelva a posicionar la herramienta para disparos subsiguientes.
- Si los clavos no penetran lo suficiente, eleve ligeramente la presión del aire hasta que consiga la fuerza de penetración esperada.
- **ADVERTENCIA** Recuerde de no excederse de 758 kPa (110 PSI).
- O gire poco a poco el control de profundidad (D) hasta que consiga la fuerza de penetración esperada.



Regulador de profundidad

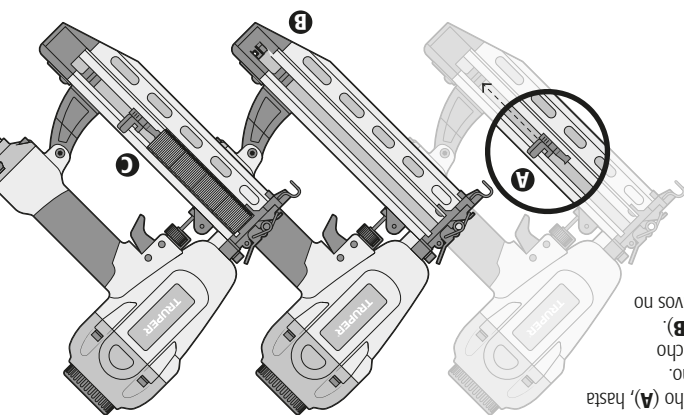
- La profundidad de penetración puede ser ajustada utilizando la rueda de ajustes de profundidad (D).
- ADVERTENCIA** Desconecte la herramienta del suministro de aire antes de intentar desmontar cualquier pieza.
- Gire la rueda de profundidad hacia la izquierda o hacia la derecha para ajustar la profundidad de penetración.
- Vuelva a conectar la herramienta al suministro de aire.
- Introduzca un clavo de prueba después de cada ajuste para verificar la profundidad deseada.





- Conecte la manguera al compresor y deje correr un poco de aire por la manguera y el cople rápido para verificar que ambos estén limpios antes de conectarlos a la herramienta.
- Si no dispone de un filtro-aceitera como el recomendado en la página 5, aplique unas gotas de aceite para herramientas dentro de la entrada de aire (C).
- Conecte la manguera de aire a la herramienta por medio del cople rápido (D). **¡ATENCIÓN!** Antes de conectar la manguera a la herramienta asegúrese de que el cartucho para clavos se encuentre vacío.
- El cople rápido es útil para conectar y desconectar rápidamente las herramientas e intercambiarlas fácilmente.

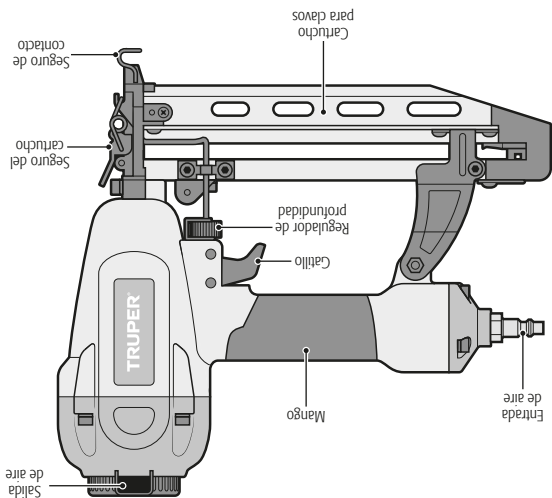
Conexión de la toma de aire



- Recorra hacia atrás el seguro del cartucho (A), hasta que quede asegurado al final del cartucho.
 - Introduzca los clavos en la vía del cartucho apoyándolos en el seguro del cartucho (B).
 - **¡ATENCIÓN!** Asegúrese que los clavos no estén sucios o dañados.
 - Libere el seguro del cartucho para que empuje los clavos hacia la punta de la herramienta.
- ¡ATENCIÓN!** La herramienta neumática no debe de estar conectada al suministro de aire, para evitar que se dispare accidentalmente durante el proceso.

Carga del cartucho

Puesta en marcha

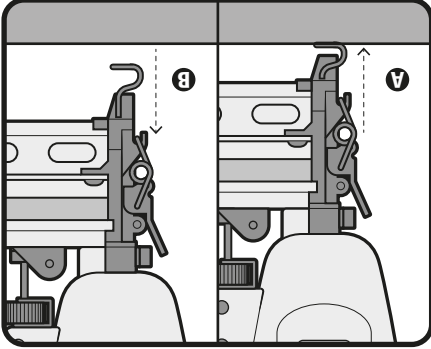


Partes

Advertencias de Seguridad para uso de clavadoras neumáticas

Como verificar el uso adecuado del seguro

- La herramienta cuenta con un seguro de contacto para evitar un disparo accidental.
- Para verificar su funcionamiento desconecte la herramienta del suministro de aire.
- Vacíe el cartucho (consulte la página 7).
- Asegúrese de que el gatillo y el seguro de contacto se puedan mover libremente hacia arriba y hacia abajo.
- Conecte la herramienta al suministro de aire.
- Sin apretar el gatillo, presione el seguro de contacto contra una pieza de madera de desecho (A). La herramienta no deberá disparar, de lo contrario suspenda su uso y acuda a un Centro de Servicio Autorizado TRUPER para su reparación.
- Retire el seguro de contacto de la pieza de madera (B). El seguro deberá regresar a su posición original y al apretar el gatillo la herramienta no deberá disparar, de lo contrario suspenda su uso y acuda a un Centro de Servicio Autorizado TRUPER para su reparación.



Antes de utilizar la clavadora

- Es necesario que tanto el operador como cualquier otra persona en el área de trabajo usen lentes de seguridad con protectores laterales, así como cascos protectores que cumplan con los estándares de la Norma Oficial Mexicana (NOM), para evitar posibles lesiones.
- Revise el estado de la herramienta. Nunca la opere si el seguro, el gatillo o los muelles son inoperantes, se encuentran dañados o han sido extraviados. No realice modificación alguna al seguro, el gatillo o los muelles.

Mientras utiliza la clavadora

- Mantenga los dedos alejados del gatillo siempre que no esté usando la herramienta para prevenir disparos accidentales.
- No apunte la herramienta hacia ninguna parte de su cuerpo ni a otras personas o animales.
- Desconecte la herramienta del suministro de aire antes de cargar los clavos: esto evitará que uno de ellos sea disparada accidentalmente durante el proceso de conexión.
- No trate de insertar un clavo en el borde o cerca del borde de la pieza de trabajo. Si la pieza se llegara a romper o separar, esto causaría que los clavos botaran con fuerza suficiente para provocar lesiones.
- Dispare los clavos únicamente hacia la superficie de trabajo. Nunca los dispare hacia una superficie difícil de penetrar, hacia donde ya haya otro clavo o con la herramienta en un ángulo demasiado inclinado: esto podría causar que los clavos reboten, exponiendo al operador a serias lesiones.
- No intente cargar los clavos mientras el gatillo esté presionado. Esto haría que un clavo fuera disparado inesperadamente.

Después de utilizar la clavadora

- Desconecte la herramienta del suministro de aire antes de realizar cualquier labor de mantenimiento o desbastado; cuando se disponga a abandonar el área de trabajo o a cambiar la herramienta de lugar, o si piensa entregársela a otra persona.
- Cuando mueva la herramienta, sosténgala únicamente del mango y nunca accione el gatillo mientras se encuentra en movimiento. Nunca transporte la herramienta sosteniéndola de la manguera ni jale la manguera para desplazar la herramienta.

Riesgo de lesión en cabeza y ojos



ADVERTENCIA

- El aire comprimido que utilizan los equipos neumáticos puede resultar peligroso. Objetos como abrazaderas, rebabas, astillas, polvo y otros residuos pueden ser impulsados por el flujo de aire a gran velocidad a la cabeza o a los ojos. El flujo de aire por sí sólo puede provocar daño en tejidos blandos como ojos, oídos, etc.
- Los adiantamientos de la herramienta se pueden aljar o romperse y proyectar partículas al operador u otras personas en el área de trabajo.

ATENCIÓN

- Antes de utilizar la herramienta verifique que todas sus partes y adiantamientos estén debidamente asegurados.
- Jamás dirija el flujo de aire a personas o animales. Y como protección adicional utilice una careta.
- Siempre que opere equipo neumático utilice lentes de protección que cumplan con la norma ANSI Z87.1

Para prevenir lesiones en cabeza y ojos



- Siempre que opere equipo neumático utilice lentes de protección que cumplan con la norma ANSI Z87.1

Riesgo de explosión



ADVERTENCIA

- El manejo inadecuado de la presión de los equipos neumáticos puede provocar una explosión que ocasione lesiones serias. Al igual que el uso de cualquier gas que no sea aire comprimido.
- Antes de utilizar la herramienta asegúrese que la fuente de aire comprimido esté regulada a la presión especificada para la herramienta y no rebase ese nivel.
- Jamás conecte la herramienta a una fuente de presión que exceda los 1 380 kPa (200 PSI), o de oxígeno ni cualquier otro gas embotellado, combustible o reactivo.
- Use aire comprimido limpio, seco y regulado, a una presión de entre 517 kPa y 758 kPa (75 PSI y 110 PSI).

Para prevenir explosión

Riesgo de pérdida auditiva



ADVERTENCIA

- Exponerse al ruido generado por las herramientas neumáticas por largos periodos puede dañar el oído permanentemente provocando pérdida de la audición.

Riesgo de lesiones



ADVERTENCIA

- Las mangueras dañadas pueden estallar y provocar lesiones serias o sordera.

Para prevenir lesiones

- No martillee la manguera ni los conectores.
- Mantenga la manguera alejada de superficies afiladas o abrasivas.
- Desconecte la manguera cuando cargue el catífucho.
- Nunca use la manguera para cargar la herramienta.
- Nunca jale de la manguera para desconectarla.
- No exponga la manguera al calor, aceite o solventes.
- Antes de operar la herramienta, verifique que las mangueras no estén dañadas.
- Use mangueras que soporten al menos 1 034 kPa (150 PSI) o el 150% de la máxima presión del sistema, la que sea mayor.

- Las abrazaderas pueden soltarse y ser proyectadas causando lesiones serias o daños a propiedad.
- Asegúrese que todas las conexiones se encuentren correctamente instaladas.

- Las herramientas que arrancan accidentalmente pueden provocar lesiones serias.

- Las herramientas y accesorios que no reciben el mantenimiento adecuado pueden provocar lesiones serias.

- Mantenga las herramientas limpias. Una herramienta bien cuidada y lubricada brinda un funcionamiento mas efectivo y es mas fácil controlarla.
- Cualquier reparación solo puede ser realizada en un Centro de Servicio Autorizado **TRUPER**.
- No utilice herramientas y accesorios con partes dañadas o golpeadas.

Advertencias generales de seguridad para herramientas neumáticas

⚠ ATENCIÓN Utilice equipo adecuado de protección personal. Utilice protección para los ojos. Mascarilla antipolvo, zepatos de seguridad antideslizantes, casco y protección para los oídos en condiciones adecuadas reducen considerablemente el riesgo de lesiones.



⚠ PELIGRO Las chispas que genera la herramienta podría provocar una explosión o incendio.

⚠ PELIGRO Mantenga a los niños y a otras personas a una distancia segura mientras utiliza la herramienta. Las distracciones pueden hacerle perder el control y provocar accidentes.

⚠ PELIGRO Evite hacer contacto con líneas y circuitos eléctricos. Ubique y evite todas las líneas y circuitos eléctricos, especialmente el cableado oculto. Así como cualquier objeto conectado a tierra.

⚠ ATENCIÓN No deje que la familiaridad con el uso de la herramienta lo distraiga mientras la utiliza. Esto puede provocar accidentes.

⚠ PELIGRO No utilice la herramienta si está cansado, o bajo la influencia de drogas, alcohol o medicamentos. Un momento de distracción mientras utiliza la herramienta puede provocar lesiones personales graves.

⚠ PELIGRO Evite encendidos accidentales. Asegúrese de que la toma de aire está desconectada antes de lubricar, colocar accesorios o dar mantenimiento a la herramienta.

⚠ PELIGRO Retire cualquier llave de ajuste antes de encender la herramienta. Herramientas adicionales o llaves colocadas en una pieza giratoria de la herramienta puede provocar lesiones personales graves.

⚠ ATENCIÓN Dele mantenimiento a la herramienta y cerciórese que se encuentra en condiciones óptimas antes de utilizarla. Revise cuidadosamente sus partes móviles, su alineación y montaje. Hágalo periódicamente. Busque cualquier elemento dañado o pieza que no funcione adecuadamente para su inmediata reparación en un Centro de Servicio Autorizado **TRUPER**.

⚠ ATENCIÓN Accesorios. Utilice sólo los accesorios o relaciones indicados en este instructivo o certificados por **TRUPER**.

⚠ ATENCIÓN Nunca deje la herramienta en marcha sin supervisión. Desconecte la herramienta de la toma de aire después de operarla y antes de dejarla para evitar accidentes graves.

Mantenga su área de trabajo limpia, ordenada y bien iluminada.

⚠ ATENCIÓN Áreas desordenadas y oscuras pueden provocar accidentes.

⚠ PELIGRO Nunca utilice la herramienta en ambientes explosivos, o en presencia de líquidos inflamables o sin ventilación.

⚠ PELIGRO Evite hacer contacto con líneas y circuitos eléctricos. Ubique y evite todas las líneas y circuitos eléctricos, especialmente el cableado oculto. Así como cualquier objeto conectado a tierra.

⚠ ATENCIÓN No deje que la familiaridad con el uso de la herramienta lo distraiga mientras la utiliza. Esto puede provocar accidentes.

⚠ PELIGRO No utilice la herramienta si está cansado, o bajo la influencia de drogas, alcohol o medicamentos. Un momento de distracción mientras utiliza la herramienta puede provocar lesiones personales graves.

⚠ PELIGRO Evite encendidos accidentales. Asegúrese de que la toma de aire está desconectada antes de lubricar, colocar accesorios o dar mantenimiento a la herramienta.

⚠ PELIGRO Retire cualquier llave de ajuste antes de encender la herramienta. Herramientas adicionales o llaves colocadas en una pieza giratoria de la herramienta puede provocar lesiones personales graves.

⚠ ATENCIÓN Accesorios. Utilice sólo los accesorios o relaciones indicados en este instructivo o certificados por **TRUPER**.

⚠ ATENCIÓN Nunca deje la herramienta en marcha sin supervisión. Desconecte la herramienta de la toma de aire después de operarla y antes de dejarla para evitar accidentes graves.

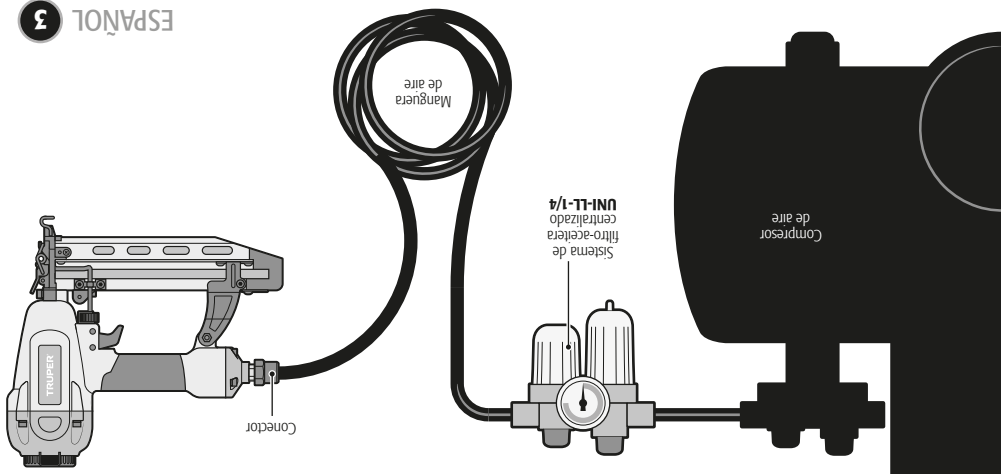
⚠ ATENCIÓN Mantenga las manos alejadas de las partes giratorias y/o móviles. No hacerlo se expone a lesiones personales graves como cortes, quemaduras o aplastamiento.

⚠ ATENCIÓN Utilice la herramienta en un lugar seguro fuera del alcance de los niños. Las herramientas neumáticas son peligrosas en manos inexpertas.

⚠ ATENCIÓN Utilice la indumentaria adecuada. La ropa suelta, joyas o cabello largo pueden ser atrapados por las piezas móviles.

⚠ ATENCIÓN Mantenga las manos alejadas de las partes giratorias y/o móviles. No hacerlo se expone a lesiones personales graves como cortes, quemaduras o aplastamiento.





- ⚠ ATENCIÓN** El polvo, agua y la falta de aceite específico para herramientas neumáticas son la causa principal de las fallas potenciales de la herramienta. Se recomienda la instalación de un sistema de filtro-aceitera centralizado **UNH-L-1/4** marca **TRUPER**. Este sistema asegura la lubricación reduciendo el consumo de aceite en un 80%, lo que incrementa significativamente la calidad del aire que respira el operador.
- El sistema de filtro-aceitera debe regularse para que administre de 3 a 6 gotas por minuto.
 - Drene el agua del tanque del compresor de aire así como la condensación de las mangueras antes de usar la herramienta.
- Consulte el instructivo del compresor.

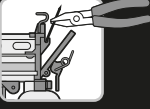
Requerimientos de filtrado y lubricación

- ⚠ ATENCIÓN** Se debe considerar el aumento en la presión de línea o el diámetro interior de la manguera para compensar el uso de mangueras muy largas (más de 8 metros). El diámetro interior mínimo de la manguera debe ser de 9,5 mm (3/8") y los conectores deben ser de 1/4 NPT. Use coples y accesorios de buena calidad y del tamaño adecuado.

• Código	13181
• Descripción	Clavadora neumática
• Presión de operación recomendada	75 PSI (517 kPa) - 110 PSI (758 kPa)
• Máxima presión permitida	110 PSI (758 kPa)
• Capacidad del cartucho	100 clavos
• Calibre de clavo	16 (1,6 mm)
• Largo de clavo	1" (25 mm) a 2-1/2" (65 mm)
• Conexión de entrada de aire	1/4 NPT
• Diámetro interno de la manguera	3/8" (9,5 mm)

CLNE-16

Realice **MANTENIMIENTO** periódico a su máquina (página 9)



Trabaje a la **PRESIÓN INDICADA** para evitar que los clavos se atasquen. En caso de que esto suceda **RETIRE EL CLAVO** antes de seguir trabajando.



Utilice solo en **MADERA**.



No opere sin lubricar (se recomienda usar el filtro lubricante **19238 UNI-LL-1/4**).

Recomendaciones de uso y cuidados

Para poder sacar el máximo provecho de la herramienta, alargar su vida útil, hacer válida la garantía y evitar riesgos o lesiones graves, es fundamental leer este instructivo por completo antes de usar la herramienta.

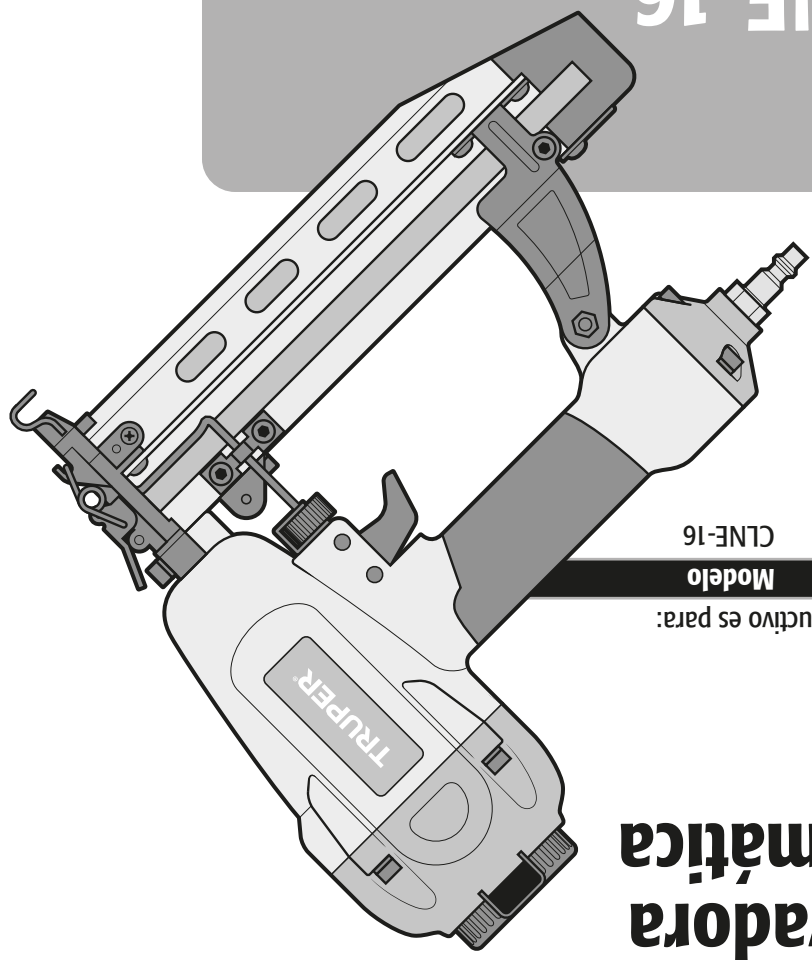
Guarde este instructivo para futuras referencias. Los gráficos de este instructivo son para referencia, pueden variar del aspecto real de la herramienta.

ATENCIÓN

- 3 Especificaciones técnicas
- 3 Requerimientos de filtrado y lubricación
- 4 Advertencias generales de seguridad para herramientas neumáticas
- 5 Control de riesgos al usar herramientas neumáticas
- 6 Advertencias de Seguridad para uso de clavadoras neumáticas
- 7 Partes
- 7 Puesta en marcha
- 9 Mantenimiento
- 9 Solución de Problemas
- 10 Notas
- 11 Centros de Servicio Autorizados
- 12 Poliza de Garantía

Instructivo de
**Clavadora
neumática**

Este Instructivo es para:
Código 13181
Modelo CLNE-16



CLNE-16

ADVERTENCIA

Lubricación constante.



ATENCIÓN

Lea este Instructivo por completo antes de usar la herramienta.

